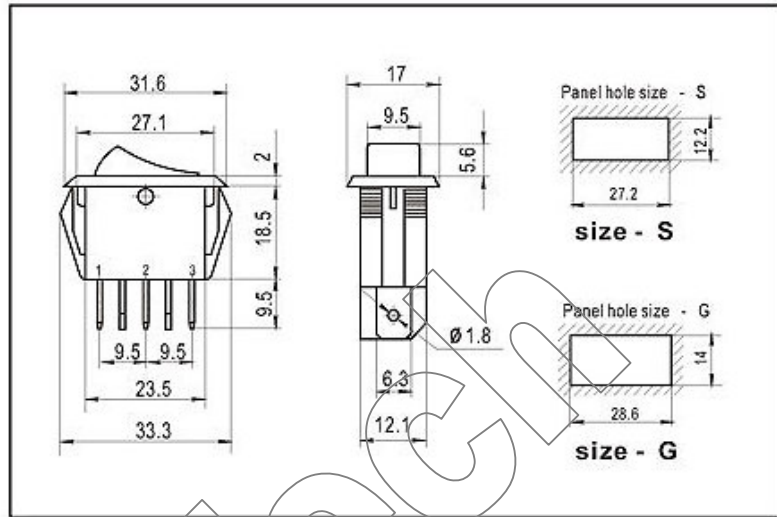


**Rocker Switch (RS1-5 Series)**



**SPECIFICATIONS**

16 (4) A 250VAC T125/55 1E4  
 15A 125VAC / 7.5A 250VAC  
 (H) Rating: 20A 125VAC 3/4HP T105  
**ROHS Compliance**



EXPLANATION MODEL NUMBER

**RS1- 5 - 11/N - C - 2 - RE/BK - P1 - S .... (2)**

